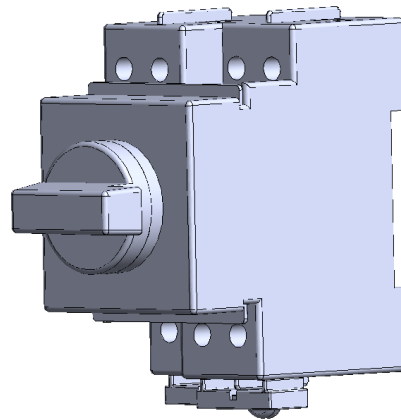
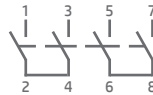


SIM16-DB-4B

TRUE DC Mini Solar Isolator

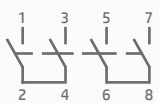
Key Features

- Modular DC Switch, 16A
- 600VDC, 16A
- Lever Handle
- IP40 Protection Rating
- 2 Pole, 1 String
- Top Input & Top Output



Technical Data

Technical Data for DC according to IEC 60947-3


Main Contacts		Type	SIM16		
Rated thermal current I_{the}		A	16		
Rated insulation voltage $U_i^{1)}$		V	1000		
Rated insulation voltage $U_i^{2)}$		V	1500		
Distance of contacts (per pole)		mm	8		
Rated operational current I_o			DC-PV1	DC-PV2	
DC-PV1 DC-PV2	4 poles in series	500V A	16	16	
	4B	600V A	16	16	
			700V A	16	16
			800V A	16	16
			900V A	16	16
			1000V A	16	16
			1100V A	16	15
			1200V A	16	13.5
			1300V A	16	12
			1400V A	16	10.5
	1500V A	16	9		
Rated operational current I_o					
AC21B	U_o max. 440V A	A	16		
Rated conditional short circuit current		kA_{eff}	5		
Max. fuse size	gL (gG)	A	40		
Mechanical life	Ops	$\times 10^3$	10		
Rated short-time withstand current (1s)	I_{cw}	A	800		
Short circuit making capacity	I_{cm}	A	800		
Maximum cable cross sections	(inc. jumper)				
solid stranded	mm^2		1.5 - 10		
flexible	mm^2		1.5 - 6		
flexible (+ multicore cable end)	mm^2		1.5 - 6		
Size of terminal screw			M4 Pz1		
Tightening torque	Nm		1.4		
2 cables per clamp without jumper					
solid or stranded	mm^2		10 + (1.5-2.5)/6 + (1.5-6)/4 + (1.5-4)		
Maximum ambient temperature					
Operation	open (for rated full load)	$^{\circ}C$	-40 to +65		
	enclosed (for rated full load)	$^{\circ}C$	-40 to +45		
Storage		$^{\circ}C$	-50 to +90		
Contact resistance per pole		m Ω	1.75		

¹⁾ Suitable at overvoltage category I to III, pollution degree 3 (standard-industry): $U_{imp} = 8kV$.

²⁾ Suitable at overvoltage category I to III, pollution degree 2 (min.IP55): $U_{imp} = 8kV$.

SIM16-DB-4B

TRUE DC Mini Solar Isolator

Technical Data for DC according to UL508i  File No.: E362605

Main Contacts	Type	SIM16
Ampere-Rating "General Use"	350V A	16
	500V A	16
	600V A	16
Fuse size (RK5) Industrial Control Switch 5kA / 600V	A	40
Maximum cable cross sections	(inc. jumper)	
	solid AWG	16 - 10
stranded	AWG	20 - 6
Size of terminal screw		M4 Pz1
Tightening torque	lb/in	12.4

Dimensions, excluding links(mm)

