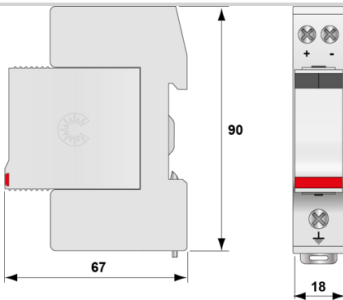


DS220-24DC



Electrical Characteristics

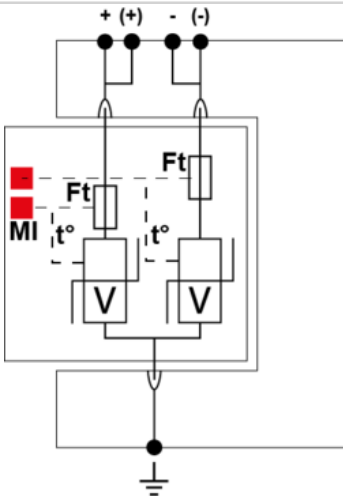
Max. load current	IL	20 A
Total Maximum discharge current (max. total withstand @ 8 /20 μs)	Imax Total	40 kA
Protection mode(s)		Common mode
Protection level +/PE (-/PE) (@ In (8/20μs))	Up	250 V

Mechanical Characteristics

Weight		0.109 kg
--------	--	----------

Part number

390501



V: High-energy varistor  
 Ft: Thermal fuse  
 t°: Thermal disconnection system  
 MI: Disconnection indicator